

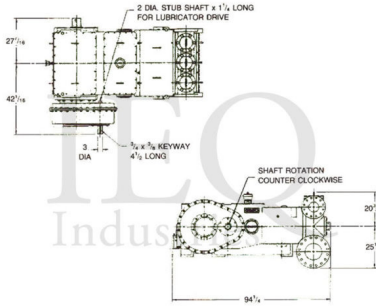
Gaso, T450-3, Triplex, Plunger Pump

Pumps in this series

- [T450-3](#)
- [T450-4](#)
- [T450-5](#)
- [T450-7](#)

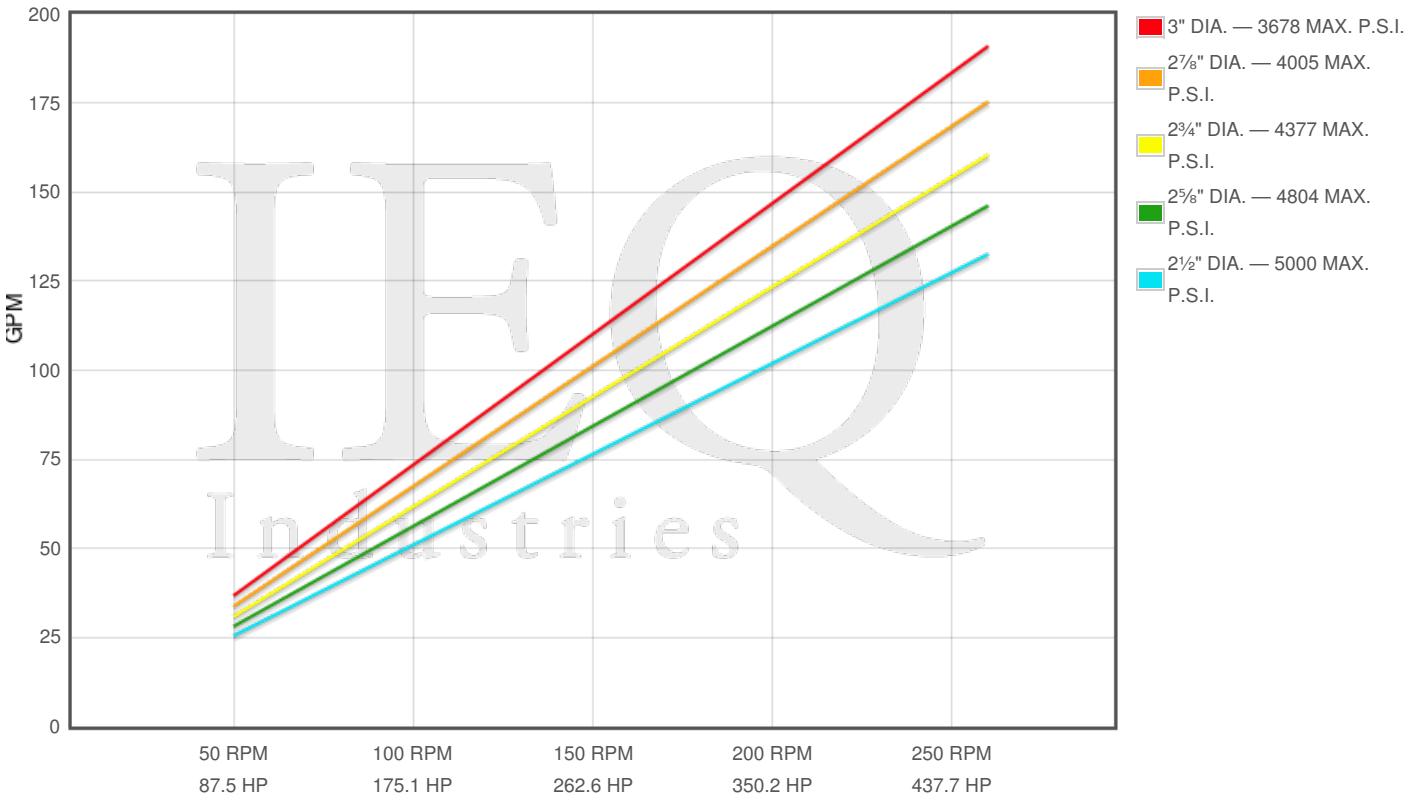
Specs

Spec	U.S. Standard
Type:	triplex
Minimum Plunger Diameter:	2½"
Maximum Plunger Diameter:	3"
Stroke length:	8"
Maximum Working Pressure:	5,000 PSI
Rod/Piston Load:	26000lb
Gallons per Minute:	191.0
Barrels per Day:	6549
Brake Horse Power:	455.0



Pump Curves

Hover over Power Curves to reveal RPM and GPM



Performance Data Table

Pump	English Units					50 RPM		150 RPM		250 RPM		260 RPM	
	Plunger Dia. In.	Plunger Area Sq. In.	BPD per RPM	GPM per RPM	Max Press. PSI	BPD	GPM	BPD	GPM	BPD	GPM	BPD	GPM
T450-3	3.000	7.0686	25.179	0.7344	3678	1259	37	3777	110	6295	184	6547	191
	2.875	6.4918	23.125	0.6745	4005	1156	34	3469	101	5781	169	6012	175
	2.750	5.9396	21.158	0.6171	4377	1058	31	3174	93	5289	154	5501	160
	2.625	5.4119	19.278	0.5623	4804	964	28	2892	84	4820	141	5012	146
	2.500	4.9087	17.486	0.5100	5000	874	25	2623	76	4371	127	4546	133

Disclaimer I

This website is intended as a reference tool only. It has been constructed from published data that is based on manufacturer's sales and engineering documents that are either current, historical and obsolete. Much of the machinery data contained herein has been re-rated through the years with different engineering criteria which maybe in conflict with legacy data. Much of the content published here is calculated online with the use of dynamic data using formulas and extrapolations considered to be sound engineering formulas and are correct to the degree that the data used is accurate. We have done our best to be as precise as as possible in this posting but do not represent any of the calculations or performance data to be entirely accurate. The data published here is intended to be general information rather than actual and to serve as a reference rather than a technical absolute. The user of such data should confirm such information independently.

Copyright and Disclaimers

WheatleyGas.com is your resource for Gaso pumps, Gaso pump parts and a supplier of ORIGINAL GASO PARTS and equipment, new used and remanufactured Wheatley, GASO and Wheatley/GASO plunger and piston pumps and pump parts and is not affiliated with Wheatley/GASO Inc. or its parent company, National Oilwell Varco, p Copyright ©2017, IntelIQ Holdings, LLC. All rights reserved, *Used under license from IntelIQ Holdings, LLC.