

GasO, T200-2, Triplex, Plunger Pump

Pumps in this series

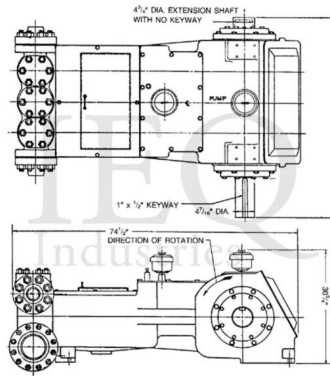
[T200-2](#)

[T200-3](#)

[T200-4](#)

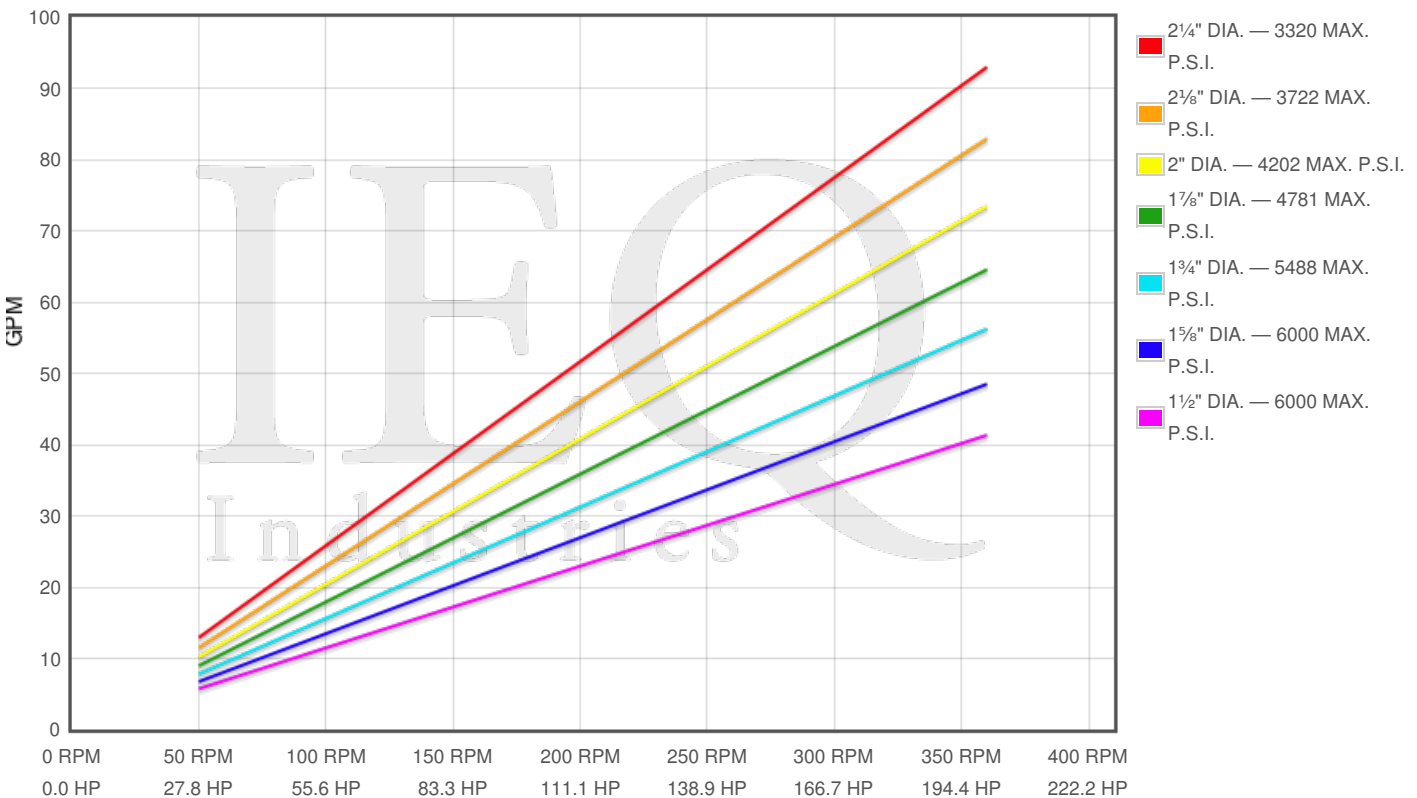
Specs

Spec	U.S. Standard
Type:	triplex
Minimum Plunger Diameter:	1 1/2"
Maximum Plunger Diameter:	2 1/4"
Stroke length:	5"
Maximum Working Pressure:	6,000 PSI
Rod/Piston Load:	13200lb
Gallons per Minute:	92.9
Barrels per Day:	3185
Brake Horse Power:	200.0



Pump Curves

Hover over Power Curves to reveal RPM and GPM



Performance Data Table

Pump	English Units					50 RPM		150 RPM		250 RPM		350 RPM		360 RPM	
	Plunger Dia. In.	Plunger Area Sq. In.	BPD per RPM	GPM per RPM	Max Press. PSI	BPD	GPM	BPD	GPM	BPD	GPM	BPD	GPM	BPD	GPM
T200-2	2.250	3.9761	8.852	0.2582	3320	443	13	1328	39	2213	65	3098	90	3187	93
	2.125	3.5466	7.896	0.2303	3722	395	12	1184	35	1974	58	2764	81	2843	83
	2.000	3.1416	6.994	0.2040	4202	350	10	1049	31	1749	51	2448	71	2518	73
	1.875	2.7612	6.147	0.1793	4781	307	9	922	27	1537	45	2152	63	2213	65
	1.750	2.4053	5.355	0.1562	5488	268	8	803	23	1339	39	1874	55	1928	56
	1.625	2.0739	4.617	0.1347	6000	231	7	693	20	1154	34	1616	47	1662	48
	1.500	1.7671	3.934	0.1147	6000	197	6	590	17	984	29	1377	40	1416	41

Disclaimer I

This website is intended as a reference tool only. It has been constructed from published data that is based on manufacturer's sales and engineering documents that are either current, historical and obsolete. Much of the machinery data contained herein has been re-rated through the years with different engineering criteria which maybe in conflict with legacy data. Much of the content published here is calculated online with the use of dynamic data using formulas and extrapolations considered to be sound engineering formulas and are correct to the degree that the data used is accurate. We have done our best to be as precise as as possible in this posting but do not represent any of the calculations or performance data to be entirely accurate. The data published here is intended to be general information rather than actual and to serve as a reference rather than a technical absolute. The user of such data should confirm such information independently.

Copyright and Disclaimers

WheatleyGas.com is your resource for Gaso pumps, Gaso pump parts and a supplier of ORIGINAL GASO PARTS and equipment, new used and remanufactured Wheatley, GASO and Wheatley/GASO plunger and piston pumps and pump parts and is not affiliated with Wheatley/GASO Inc. or its parent company, National Oilwell Varco, p Copyright ©2017, IntelIQ Holdings, LLC. All rights reserved, *Used under license from IntelIQ Holdings, LLC.